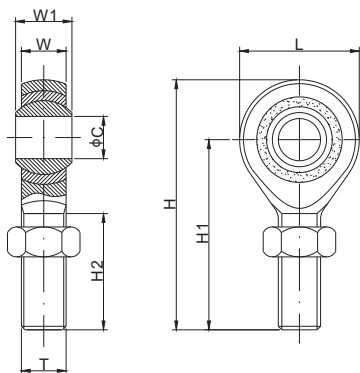


关节轴承, 合金钢



特点:

- 自润滑, 免维护
- 低碳钢
- 有助于实现传感器的最大精度和延长使用寿命
- 可以用在拉向模块 101BHM2 和 101NHM2, 或363YH的第二种安装方式(拉向)

尺寸

货号	C	H	H1	H2	L	W	W1	T	安全载荷	净重(kg)
inches										
RE-1/4	0.25	1.90	1.50	0.95	0.80	0.25	0.38	1/4-28 UNF	500lb	0.1
RE-1/2	0.50	3.11	2.44	1.52	1.35	0.50	0.63	1/2-20 UNF	2Klb	0.1
RE-3/4	0.75	4.05	3.05	1.80	1.95	0.70	0.88	3/4-16 UNF	5Klb	0.3
REH-1/2	0.75	4.05	3.05	1.45	1.95	0.70	0.88	1/2-20 UNF	3Klb	0.3
REH-3/4	1.00	5.50	4.10	1.73	2.75	0.85	1.37	3/4-16 UNF	10Klb	0.8
REH-1	1.20	5.70	4.30	2.52	2.75	1.00	1.14	1-14 UNS	15Klb	0.9
mm										
RE-M6	5.9	46.0	36.0	21.5	20.0	6.75	9.0	M6	0.1t	0.1
RE-M12	12.0	70.0	53.5	31.0	32.0	12.0	16.0	M12	1.5t	0.1
RE-M16	16.0	86.0	66.0	37.0	40.0	15.0	21.0	M16	1.7t	0.2
RE-M18	18.0	95.5	72.0	41.0	46.0	16.5	23.0	M18X1.5	2t	0.3
RE-M24	25.0	124.0	94.0	57.0	60.0	22.0	31.0	M24X2.0	3t	0.6
RE-M30	30.0	145.0	109.5	62.5	70.0	24.5	37.0	M30X2.0	4.5t	1.0
REH-B-M12	20.0	103.0	77.5	28.0	51.0	12.0	16.0	M12	1.7t	-
REH-M18(停产)	31.8	139.5	104.0	55.0	70.0	20.0	30.2	M18X1.5	5t	0.7
REH-B-M18	25.0	124.0	94.0	44.0	60.0	22.0	31.0	M18X1.5	5t	0.7
REH-B-M24	30.0	145.0	110.0	54.0	70.0	25.0	37.0	M24X2.0	5t	-

垂直载荷

